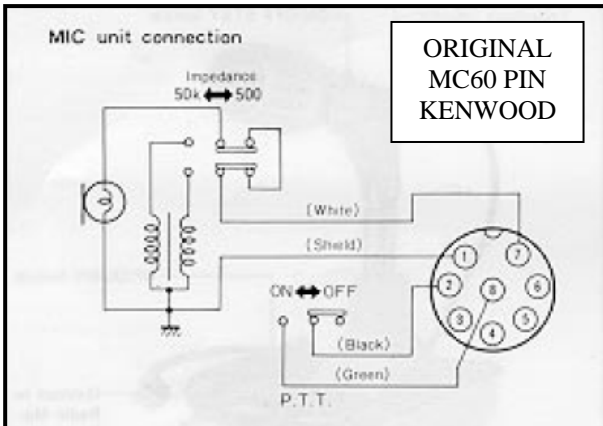


**KENWOOD MC60 TO YAESU MIC PIN**  
**Simple personal voice/idea – Franco HB9oab, 21 04 2007**  
<http://www.wlog2000.com>

**CABLE CONNECTION ORIGINAL**



**ORIGINAL  
MC60 PIN  
KENWOOD**

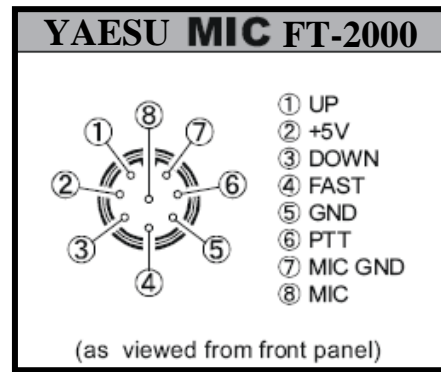
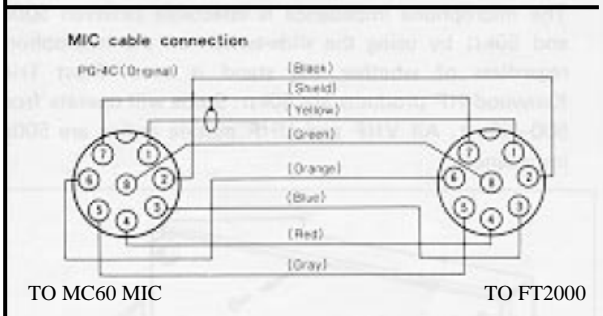
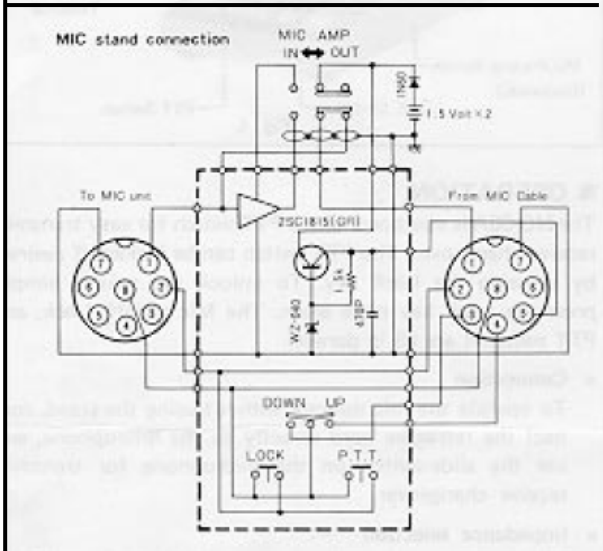
**CABLE CONNECTION TO YAESU FT2000**

FOR TO USING ON FT 2000  
 MIC TO UNIT CONNECTION SWITCH  
 IMPEDANCE to 50KOhm

**MIC STAND CONFIGURATION**  
 SWITCH [MIC AMP] TO [IN]  
 USE YAESU PIN 2 TO EXT.POWER  
 (The amplifier draw approximately 1ma.)

**AND CREATE A NEW CABLE CONNECTION**

TO MC60 KENWOOD PIN SIDE	TO YAESU PIN SIDE	YAESU PIN IN USE FOR	NOTE
1	8	MIC	
2	6	PTT	
3	3	DW	
4	1	UP	
5	2	EXT.PWR +	
6	NONE	4 NOT USED	FAST
7	7	GND MIC	
8	5	GND	



**FT2000 PROC = OFF**      **MC60 MICAMP = IN**      **MC 60 IMPEDANCE = 50K**  
**083 =3-27** (or 3000 for QSO... if you like HIFI...)  
**123=300**      **124=5**      **125=6**  
**126=1500**      **127=4**      **128=3**  
**129=2500**      **130=5**      **131=3**  
 MICGAIN at 12/15clock  
**I have not succeeded in finding a valid solution audio to use the radio processor with any mic!!!!!!**

**Franco HB9oab, 21 04 2007**  
**HomePage: <http://www.wlog2000.com>**  
**Email: [hb9oab@amsat.org](mailto:hb9oab@amsat.org)**